



# Agricultural IoT Product Provider



**Make agricultural production smarter and more efficient  
Help farmers increase production and income**



Temperature / Humidity



Water



The soil



Environment



Sensing



## Company introduction

Changsha Zoko Link Technology Co., Ltd. (Brand: NiuBoL) : production and sales of soil nitrogen, phosphorus and potassium sensors, soil PH sensors, soil moisture sensors, soil temperature and humidity sensors, soil Electrical conductivity sensors, automatic weather stations, wind speed sensors, wind direction sensors, ultrasonic integrated sensors, louvered box temperature, humidity and pressure sensors, rain sensors and other sensors, and widely used in poultry breeding , greenhouse automation, irrigated agriculture, forest monitoring, digital agriculture and other application scenarios.

With reliable quality, complete range and reasonable price, our products are exported to many countries such as USA, Argentina, Egypt, India, Thailand, Singapore, Malaysia and Australia. And we will always keep the momentum of development, continue to deeply expand the market, and cooperate with everyone for a win-win situation.

Whether it is treating products or customers, we have always been adhering to the business management philosophy of "seeking truth and being pragmatic, and striving for excellence". When dealing with products, every employee of Zhongke Zhilian is meticulous, and firmly grasps the quality of each product. When treating customers, we will provide the most professional advice and provide customers with the most professional and most suitable products. For after-sales, we value every customer's feedback and deal with customer needs immediately. A perfect after-sale can best reflect the true value of a product.

### Core competence



#### Focus on agriculture

Deep technical precipitation  
User-centric  
Boutique to open up the market



#### Fully self-produced

Professional R&D team  
Standardize the production base  
Standard Quality Control



#### One-stop customized service

Better understanding of needs tailor-made  
System integration extension development  
Customized special service



#### Sound service system

Professional marketing team  
Efficient technical support  
Reliable after-sales service



# Weather Station Series



NBL-W-LBTH/The louver box type temperature, humidity and pressure sensor is a fully digital detection, high-precision sensor. It is integrated with high-precision digital temperature, humidity and air pressure. It can accurately and quickly detect atmospheric temperature, atmospheric humidity and atmospheric pressure. The built-in signal processing unit can Output corresponding signals according to user needs, high-strength structural design can accurately detect in harsh weather environments.

Can be widely used in meteorology, ocean, environment, airports, ports, laboratories, industry and agriculture and transportation and other fields.



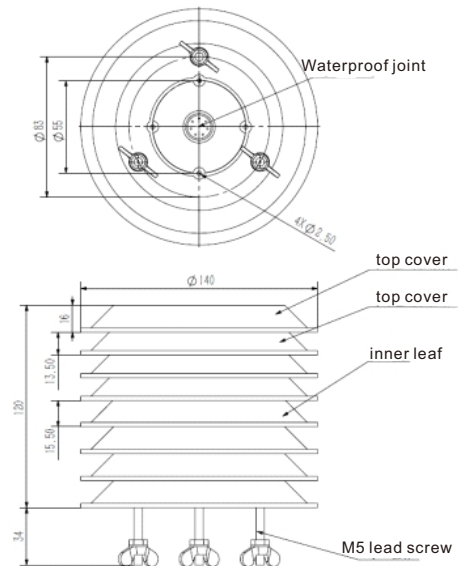
### Performance characteristics

- | Stable performance
- | Strong anti-interference ability
- | Rapid detection of atmospheric temperature, humidity and pressure
- | Low power consumption and IP65 protection design

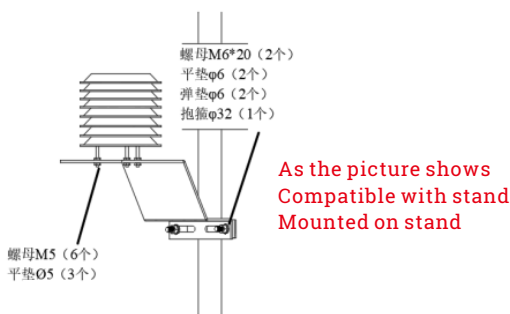
### Technical parameter

Options	Temperature	Humidity	Air pressure
Measuring range	-40 ~ 80°C	0 ~ 100%RH	10 ~ 1200hPa
Accuracy	±0.5	±5%RH	±1.5hPa
Resolution	0.1°C	0.1%RH	0.1hPa
Measuring range	DC 12V-24V		
Output signal	Rs485		
Protocol	MODBUS		
Materials	ABS		
Average power consumption	0.3W		
Baud Rate	9600		
Operating temperature	-40-70°C		
Operating humidity	≤100%RH		
Protection class	Ip65		

### Product Size



### Installation method



### Specifications and models

Model	Power supply	output method	Description
NBL-W-LBTH			Louver box type temperature and humidity Air pressure sensor
	12V-24V		12V-24V power supply
		W2	Rs485
For example: 12V-W2: Sensor12V power supply, RS485 output			

### Application field



Meteorological



Agriculture



Ocean



Environment



Harbor

## Product application scenarios



**Make agricultural production smarter and more efficient  
Help farmers increase production and income**



**NiuBoL**

Changsha Zoko Link Technology Co., Ltd

Tel: +8615367865107

WhatsApp/WeChat: +8615367865107

Email: [sales@zoko-link.com](mailto:sales@zoko-link.com)

Website: [www.zoko-link.com](http://www.zoko-link.com)

Address: Room 102, Zone D, Houhu Industrial Park, Yuelu District, Changsha City, Hunan Province, China