



Agricultural IoT Product Provider



**Make agricultural production smarter and more efficient
Help farmers increase production and income**



Temperature / Humidity



Water



The soil



Environment



Sensing



Company introduction

Changsha Zoko Link Technology Co., Ltd. (Brand: NiuBoL) : production and sales of soil nitrogen, phosphorus and potassium sensors, soil PH sensors, soil moisture sensors, soil temperature and humidity sensors, soil Electrical conductivity sensors, automatic weather stations, wind speed sensors, wind direction sensors, ultrasonic integrated sensors, louvered box temperature, humidity and pressure sensors, rain sensors and other sensors, and widely used in poultry breeding , greenhouse automation, irrigated agriculture, forest monitoring, digital agriculture and other application scenarios.

With reliable quality, complete range and reasonable price, our products are exported to many countries such as USA, Argentina, Egypt, India, Thailand, Singapore, Malaysia and Australia. And we will always keep the momentum of development, continue to deeply expand the market, and cooperate with everyone for a win-win situation.

Whether it is treating products or customers, we have always been adhering to the business management philosophy of "seeking truth and being pragmatic, and striving for excellence". When dealing with products, every employee of Zhongke Zhilian is meticulous, and firmly grasps the quality of each product. When treating customers, we will provide the most professional advice and provide customers with the most professional and most suitable products. For after-sales, we value every customer's feedback and deal with customer needs immediately. A perfect after-sale can best reflect the true value of a product.

Core competence



Focus on agriculture

Deep technical precipitation
User-centric
Boutique to open up the market



Fully self-produced

Professional R&D team
Standardize the production base
Standard Quality Control



One-stop customized service

Better understanding of needs tailor-made
System integration extension development
Customized special service



Sound service system

Professional marketing team
Efficient technical support
Reliable after-sales service



Weather Station Series



NBL-W-DS/The wind direction sensor adopts a high-precision magnetic sensor chip, and selects a low-inertia ABS wind vane to respond to the wind direction, with good dynamic characteristics. The product has the advantages of large range, good linearity, strong lightning resistance, convenient observation, stability and reliability.

Can be widely used in meteorology, ocean, environment, airports, ports, laboratories, industry and agriculture and transportation and other fields.



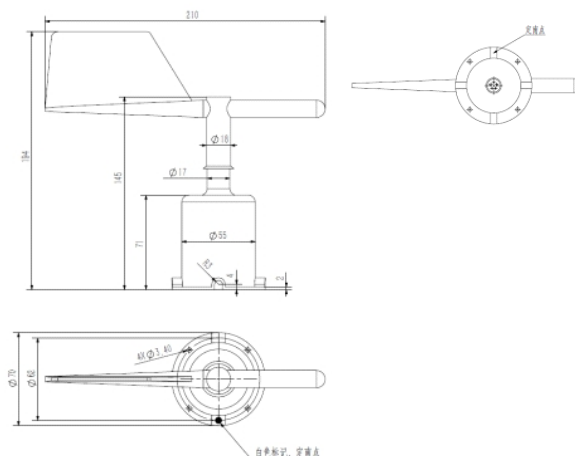
Performance characteristics

- | Ip45 protection dynamic characteristics are good
- | Large range and good linearity
- | Strong anti-lightning ability
- | Easy to observe, stable and reliable

Technical parameter

Measuring range	0-360°
Accuracy	±3°
Resolution	1°
Start wind speed	≤0.5m/s
Power supply	<input type="checkbox"/> DC5V <input type="checkbox"/> DC12V <input type="checkbox"/> DC24V
Output signal	<input type="checkbox"/> 4-20mA <input type="checkbox"/> 0-5V <input type="checkbox"/> 0-2.5V <input type="checkbox"/> RS485
Line length	2.5m (can be customized)
Load capability	Current-mode output impedance: ≤250Ω
	Voltage type output impedance ≥ 1KΩ
Operating temperature	-40-50℃
Working humidity	≤100%RH
Protection class	Ip45
Product weight	210g
Product power consumption	0.15W
Cable grade	Rated voltage: 300V Temperature class: 80℃

Product Size



Installation method



As shown in the picture, use M3 screws and nuts to pass through the sensor 4 mounting holes. Fasten the sensor to the mounting bracket. Please avoid disassembling the sensor during installation.

Specifications and models

Model	Power supply	output method	Description
NBL-W-DS			Wind direction sensor
	5V		5V power supply
	12V-24V		12V-24V power supply
		V	0-5V
		A1	4-20mA
		W2	Rs485
Example: 5V-V: Wind direction sensor (transmitter) 5V power supply, 0-5V output			

Application field



Meteorological



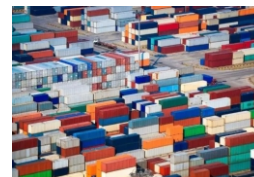
Agriculture



Ocean



Environment



Harbor

Product application scenarios



**Make agricultural production smarter and more efficient
Help farmers increase production and income**



NiuBoL

Changsha Zoko Link Technology Co., Ltd

Tel: +8615367865107

WhatsApp/WeChat: +8615367865107

Email: sales@zoko-link.com

Website: www.zoko-link.com

Address: Room 102, Zone D, Houhu Industrial Park, Yuelu District, Changsha City, Hunan Province, China